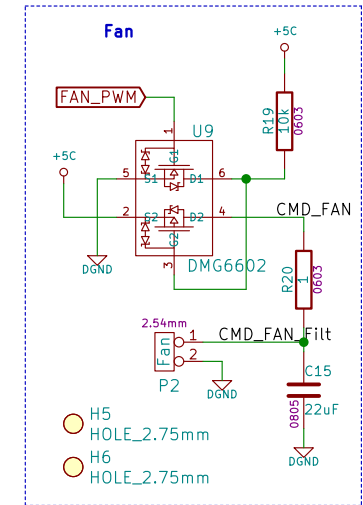
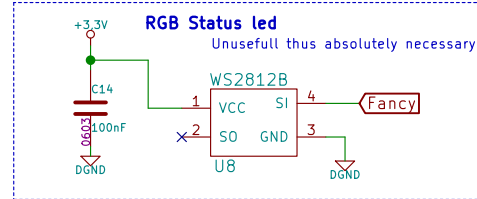
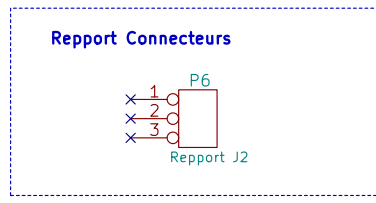
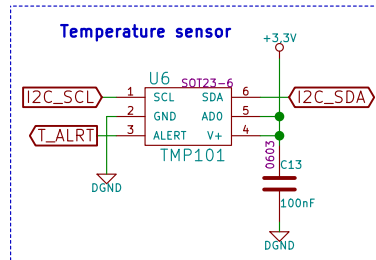
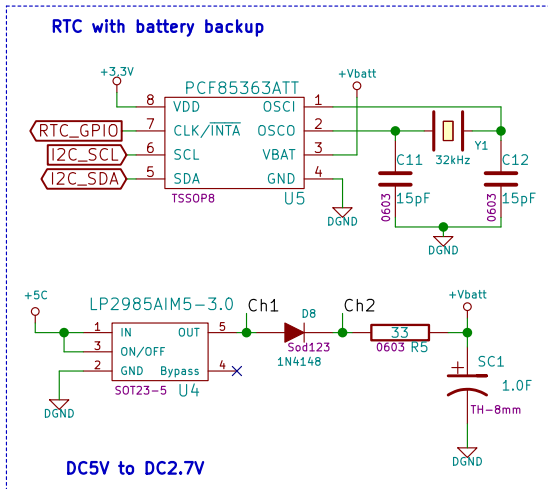


- H1 HOLE_RPi
- H2 HOLE_RPi
- H3 HOLE_RPi
- H4 HOLE_RPi



Author : Nathael Pajani - nathael.pajani@techno-innov.fr
 Licence : Creative Commons - CC - By - SA - NC

Title: PiSerialPower Adapter

Rev: 0.2

Sheet: /

Id: 1/1

Techno-Innov

Date: 2020-01-13