

Wireless M-Bus Multi-Mode RF Transceiver Module (EN 13757-4:2005)

Product Description

The RC1180-MBUS RF Transceiver Module is a compact surface-mounted high performance module with embedded Wireless M-Bus protocol. The module has a UART interface for serial communication and configuration, and a one-pin antenna connection. The module is pre-certified for operation under the European radio regulations for license-free use and measures only 12.7 x 25.4 x 3.3 mm with shielding. When used with quarter-wave antennas a line-of-sight range of 500-600 meter can be achieved. The RC1180-MBUS meets the Wireless M-Bus specification S, T and R2 modes, and operates in 12 channels in the 868 MHz frequency band.

Applications

- Wireless M-Bus
- Automatic Meter Reading (AMR)
- Advanced Metering Infrastructure (AMI)
- Electricity meters
- Gas and Water meters
- Heat meters, Heat cost allocators
- Readers and concentrators



Features

- Embedded Wireless M-Bus protocol supporting EN 13757-4:2005 mode S, T and R2
- 12.7 x 25.4 x 3.3 mm compact module for SMD mounting
- Easy to use UART interface for communication and configuration
- Wide supply voltage range, 2.0 – 3.6 V
- Ultra low power modes for extended battery lifetime
- 2 channels (868.3, 868.95 MHz) in mode S and T
- 10 channels in mode R2 (868.03 + n x 0.06 MHz)
- No external components except antenna
- Configurable Manufacturer ID and serial number
- Conforms with EU R&TTE directive (EN 300 220, EN 301 489, EN 60950)
- Designed for EX compliance

Quick Reference Data

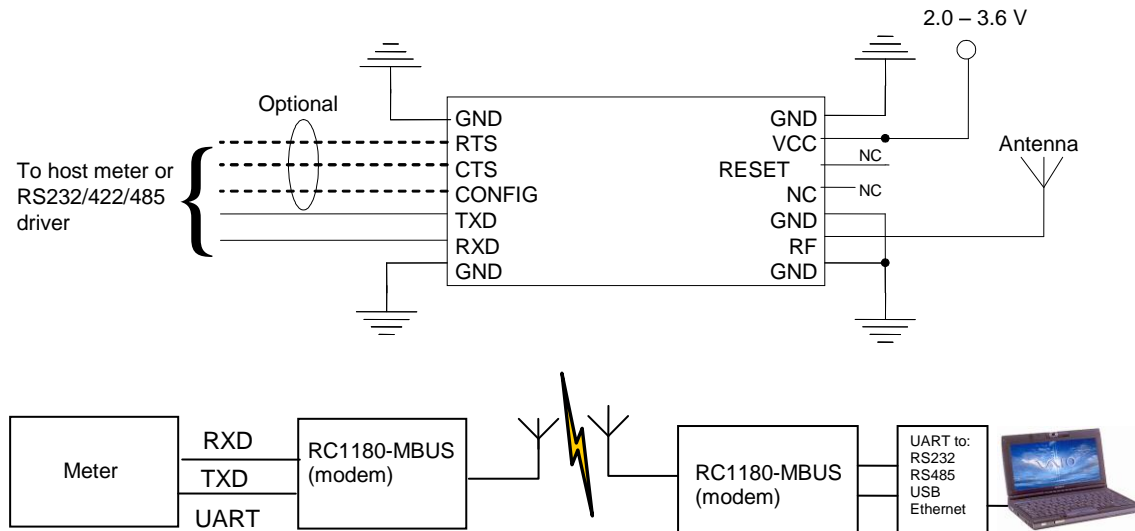
Parameter	RC1180-MBUS	Unit
Frequency bands	868.0 – 870.0	MHz
Number of channels	12	
Data rate	4.8, 32.768, 100	kchip/s
Max output power	9	dBm
Sensitivity, R/S/T	-106/-102/-101	dBm
Supply voltage	2.0 – 3.6	Volt
Current consumption, RX / TX	24 / 37	mA
Current consumption, SLEEP	Typ 0.3	uA
Temperature range (S and T mode)	-40 to +85	°C

RC1180-MBUS Embedded Firmware Solutions

The RC1180-MBUS module is available with different embedded firmware solutions, implementing specific feature sets. The hardware is the same for all solutions, and the different feature sets available are listed in the table below. Detailed information on how to use the different feature set is described in the RC1180-MBUS User Manual.

Feature List	Feature set	
	RC1180-MBUS1	RC1180-MBUS2
General	Basic Wireless M-Bus functions	Added features for NTA 8130 compliance (for use in the Netherlands)
Network role	Master or Slave	Master or Slave
Modes	S1, S2, T1, T2, R2	S1, S2, T1, T2, R2
Encryption	No, must be handled externally	AES-128 according to NTA8130
Installation mode	No, must be handled externally	Yes, according to NTA 8130
Filter function	No, receives any M-Bus packet. Filtering must be handled externally	Master receives only messages from installed/registered meters
Automatic acknowledge in T2	No, must be handled externally	Yes, according to NTA 8131

Typical application circuit



See page 9 for additional schematic information regarding recommended Reset and Power supply filtering, and how to include firmware upgrade connector.

Quick Product Introduction

How do I transmit data?

Send your data to the RXD pin on the module. Use the UART format with settings (19200, 8, 1, N, no flow control). Up to 128 bytes are buffered in the module. The first byte of the message should contain the message length. The module will transmit the data when the whole packet is received.

How do I receive data?

Any received data packet with correct M-Bus format and check sums will be sent on the TXD pin. Optionally the meter address (first M-Bus block) is added to the data string. The RSSI value (received signal strength) can optionally be added to the message.

What about the antenna?

In most cases a simple quarter wavelength wire or a PCB track will do. Connect a piece of wire to the RF pin with length corresponding to the quarter of a wavelength. For space limited products, contact Radiocrafts and we will recommend the best antenna solution for your application.

How do I change the M-Bus mode, RF channel or any other parameter?

To change configurable parameters, send one byte to the module with the value 0x00. This will take the module into configuration mode. Special commands are then used to access the configuration registers and test modes. Exit from configuration mode by sending the 'X' command. Parameters can be changed permanently and stored in non-volatile memory in the module.

Wireless M-Bus Modem

The standard RC1180-MBUS module acts like a wireless M-Bus modem with a UART interface. The embedded protocol transmits and receives the wireless M-Bus data packets based on application messages from an external source (the meter or the concentrator). The module automatically adds the Command field, the Manufacturer ID and the unique Address based on parameters configured in the module. The UART data can easily be converted to USB or RS485/232 to interface external equipment. The module is configured through its UART interface using a simple command set. Configuration parameters are stored in non-volatile memory. The module can be set in Sleep mode with very low current consumption, and wake up on a UART command. The protocol for UART application messages (see MBUS User Manual for details) is as follows:

From meter to module:

1 byte 1 byte n bytes

Length	CI	APP_LAYER
--------	----	-----------

From module to other (with meter address):

1 byte 1 byte 2 bytes 6 bytes 1 byte n bytes 1 byte

Length	C	ManID	Address	CI	APP_LAYER	RSSI (opt)
--------	---	-------	---------	----	-----------	------------

From module to other (without meter address):

1 byte 1 byte n bytes 1 byte

Length	CI	APP_LAYER	RSSI (opt)
--------	----	-----------	------------

Similar commands are available for configuration via the UART interface.

RF Frequency, Output Power Levels and Data Rates

The following table shows the available RF channels and their corresponding frequencies, nominal output power levels and available data rates. The combination of frequency and data rate is determined by the M-Bus mode. For R mode the RF channel selection must be selected between 1-10.

Model	RF channel	Output power	Data rate
RC1180-MBUS	1-10: $f_{RF}=868.03+(N-1)*0.06$ MHz where N is the channel number	1: -20 dBm 2: -10 dBm 3: 0 dBm 4: 5 dBm 5: 9 dBm	1: 4.8 kchip/s 2: 32.768 kchip/s 3: 100 kchip/s
	11 (used in S and T2 mode): $f_{RF}=868.300$ MHz		
	12 (used in T1 and T2 mode): $f_{RF}=868.950$ MHz		
	Factory setting: 1: 868.030 MHz (apply for R mode only)		

For more details on changing the RF channel, output power or M-Bus mode, refer to the MBUS User Manual.

RSSI Reading

The module provide a digital Received Signal Strength Indicator (RSSI) through the 'S' command, or attached to the received messages. The RSSI value appended to a received message is the signal strength of that received packet. The RSSI value is a 8 bit character (one byte) indicating the current input signal strength or the signal strength of the received message. The signal strength can be used as an indication of fading margin, or as a carrier sense signal to avoid collisions.

The RSSI value increases with increased input signal strength in 0.5 dB steps. Input signal strength is given by (typ.):

$$P = - \text{RSSI} / 2 \text{ [dBm]}$$

Full wireless M-Bus application (optional custom specific version)

As an option, a full wireless M-Bus application layer can be integrated in the module *based on customer specification*. In this case all the application layer protocol and timing will be handled internally by the module. An S0 (1-pin) pulse interface and/or a serial interface can be used to read out values from any meter. Since the protocol for reading out meter information may differ from meter to meter, the embedded firmware is customized for each different meter and application.

These are some of the features that can be used in a customized application:

- 4 kB EEPROM for storing meter data
- 32 kHz oscillator for real time clock time stamps
- AES-128 encryption
- Sleep timers
- Message acknowledgement and re-transmissions
- Digital I/O pins for tamper detection, alarms and installation
- A/D converter for analogue sensors

Please see chapter “Programming Interface” for a description of how to include a programming connector in your PCB layout to be able to receive updated firmware code from Radiocrafts in a pilot product phase.

One-Button Installation (optional custom specific version)

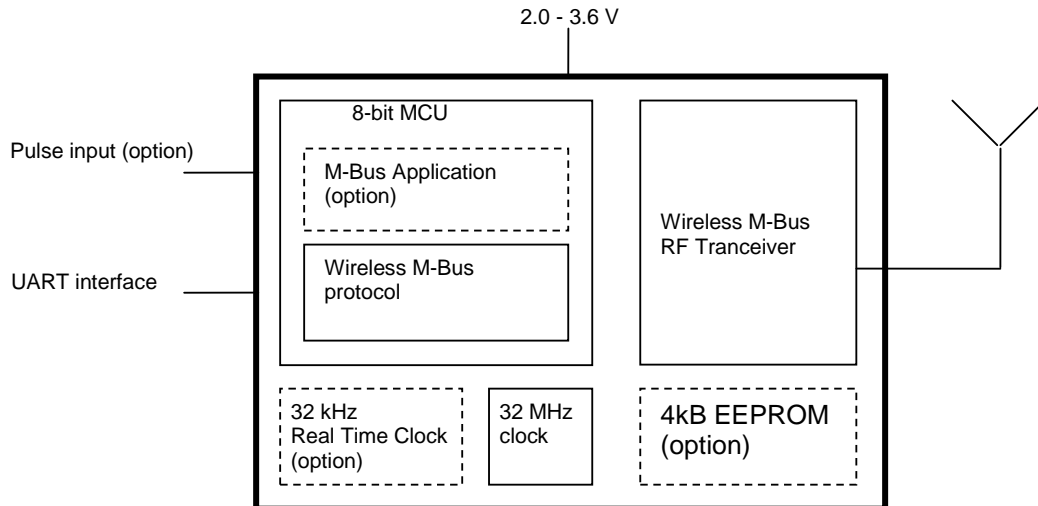
Due to the two-way transceiver capability of the RC1180-MBUS module, a simple and robust installation procedure can be used even for S1 and T1 (one-way) operation modes.

In a full M-Bus application, the Radiocrafts unique “one-button” installation feature simplifies the installation and reduces installation time substantially. Using an external push-button and a LED connected to dedicated pins on the module, the installation procedure is very simple:

- Press the install button on concentrator
- Press the install button on meter
- Wait 5 seconds for two way communication between meter and concentrator
- See installation LED go on for OK installation (Blinking for error during installation)

Please contact Radiocrafts for custom specific requests.

Block Diagram



Circuit Description

The module contains a communication controller with embedded Wireless M-Bus protocol software and a high performance RF transceiver. As an option the module can support a real time clock oscillator and EEPROM memory.

The communication controller handles the radio packet protocol, the UART interface and controls the RF transceiver. Data to be sent by the host is received at the RXD pin and buffered in the communication controller. The data packet is then assembled with preamble, start-of-frame delimited (SOF), manufacturer ID, unique address information and CRC check sums before it is transmitted on RF.

The RF transceiver modulates the data to be transmitted on RF frequency, and demodulates data that are received. Digital signal processing technology is used to enhance sensitivity and selectivity.

Received data are checked for correct CRC by the communication controller. If no CRC errors were detected, the data packet is sent to the host on the TXD line. The data format is configurable, and optionally an RSSI value (signal strength of received packet) can be added to the message.

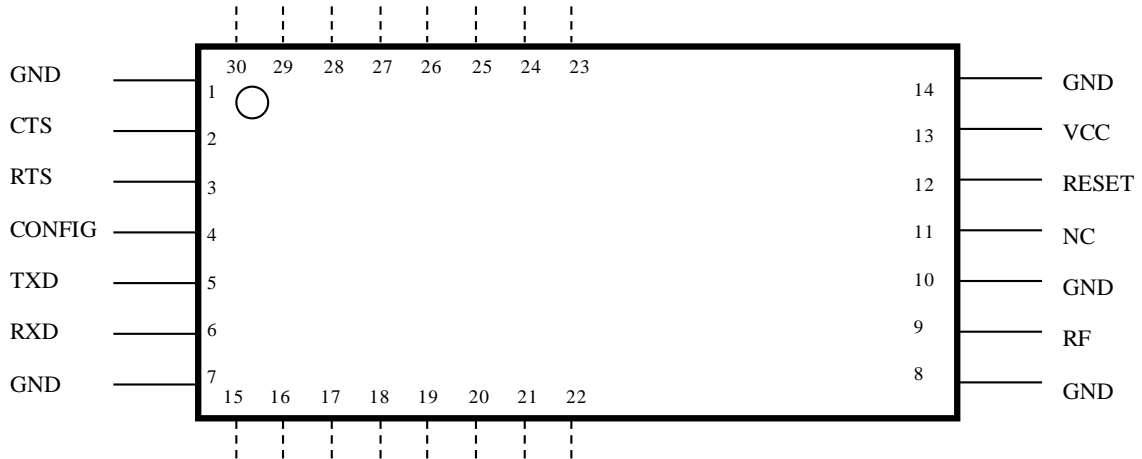
The asynchronous UART interface consists of RXD and TXD. Optionally CTS or RTS can be used for hardware handshake flow control.

When a 00h value is sent as the first byte (replacing the Length byte), or the CONFIG pin is asserted, the module enters configuration mode and the communication controller interprets data received on the RXD pin as configuration commands. There are commands to change the radio channel, the output power, etc. Permanent changes of the configuration is also possible and are then stored in internal non-volatile memory (Flash).

The supply voltage is connected to the VCC pin. The module contains an internal voltage regulator for the RF transceiver and can therefore operate over a wide supply voltage range.

The module can be set in Sleep mode to reduce the power consumption to a minimum. The module is then woken up by sending a FFh byte on the UART. Sleep mode can be entered by sending a sleep command, or by configuring the module to always return to Sleep mode after data transmission (S1 and T1 modes).

Pin Assignment



Pin Description

Pin no	Pin name	Description	Equivalent circuit
1	GND	System ground	
2	CTS	UART Clear to Send	<p>Input:</p> <p>Output:</p>
3	RTS	UART Request to Send	
4	CONFIG	Configuration Enable. Active low. Should normally be set high	
5	TXD	UART TX Data	
6	RXD	UART RX Data	<p>Use external max 8k2 kohm pull-up resistor if connected to an open collector output from a host MCU or other high impedance circuitry like level shifters.</p>
7	GND	System ground	
8	GND	System ground	

9	RF	RF I/O connection to antenna	
10	GND	System ground	
11	NC	Not connected	
12	RESET	Main reset (active low). Should normally be left open. Internal 12 kΩ pull-up resistor.	
13	VCC	Supply voltage input. Internally regulated.	
14	GND	System ground	
15-22	RESERVED	Test pins or pins reserved for future use. <i>Do not connect!</i>	
23-30	RESERVED	Test pins or pins reserved for future use. <i>Do not connect!</i>	

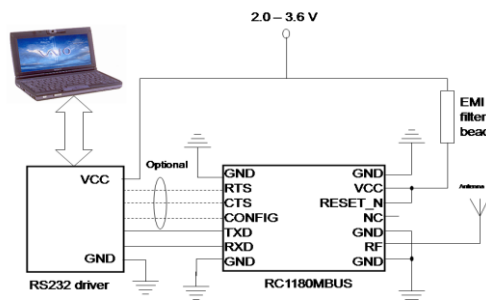
Note 1: For UART communication the TXD and RXD are used for serial data, and CTS and RTS for flow control (optional). RXD should be high when not sending data to the module.

Note 2: The CONFIG pin can be used to enter configuration mode (change of default settings) as an alternative to the 0x00 command. Active low.

Note 3: Other digital interfaces may be specified upon request.

Power Supply

Noisy external circuitry may under certain scenarios affect the transmitted signal on RC1180-MBUS and precaution should be taken for EU R&TTE conformity. Example of circuits that can generate noise on the RC1180-MBUS transmitted spectrum may be DC/DC converters and some level converters like RS232 and RS485. To increase spectrum margin it is important to add an EMI filter bead on the VCC pin of the RC11XX-RC232 module. Alternatively the RC1180-MBUS may be powered from a separate voltage regulator. This will ensure that potential switching noise is filtered out from the power supply to the RC1180-MBUS. A block diagram of a typical PC serial port interface is illustrated below.

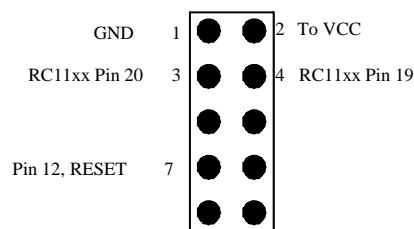


Suggested part numbers:

Component	Manufacturer	Part number
EMI filter bead	Murata	BLM11A102S, ordering code BLM18xx102xN1D

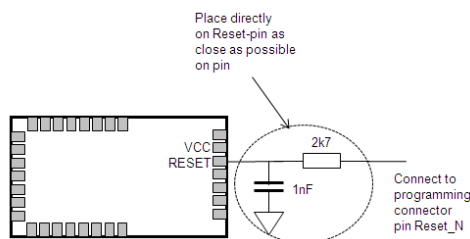
Programming Interface

For future firmware updates and to change to a different MBUs feature set it is recommended to include a 2x5 pins programming connector to the module programming pins. The connector should be a 2.54 mm pitch pin-row (same pitch in both directions), SMD or through-hole version, with the following connections:



Reset connection

To minimize effect of noise on the Reset-line, the Reset pin on the module (pin 12) must be connected to external circuitry via an RC-network.



Antenna Connection

The antenna should be connected to the RF pin. The RF pin is matched to 50 Ohm. If the antenna connector is placed away from the module at the motherboard, the track between the RF pin and the connector should be a 50 Ohm transmission line.

On a two layer board made of FR4 the width of a microstrip transmission line should be 1.8 times the thickness of the board, assuming a dielectric constant of 4.8. The line should be run at the top of the board, and the bottom side should be a ground plane.

Example: For a 1.6 mm thick FR4 board, the width of the trace on the top side should be $1.8 \times 1.6 \text{ mm} = 2.88 \text{ mm}$.

The simplest antenna to use is the quarter wave whip antenna. A quarter wave whip antenna above a ground plane yields 37 Ohm impedance and a matching circuit for 50 Ohm are usually not required.

A PCB antenna can be made as a copper track where the ground plane is removed on the back side. The rest of the PCB board should have a ground plane as large as possible, preferably as large as the antenna itself, to make it act as a counterweight to the antenna. If the track is shorter than a quarter of a wavelength, the antenna should be matched to 50 ohms.

The lengths of a quarter wave antenna for different operational frequencies are given in the table below.

Frequency [MHz]	Length [cm]
868	8.2

Regulatory Compliance Information

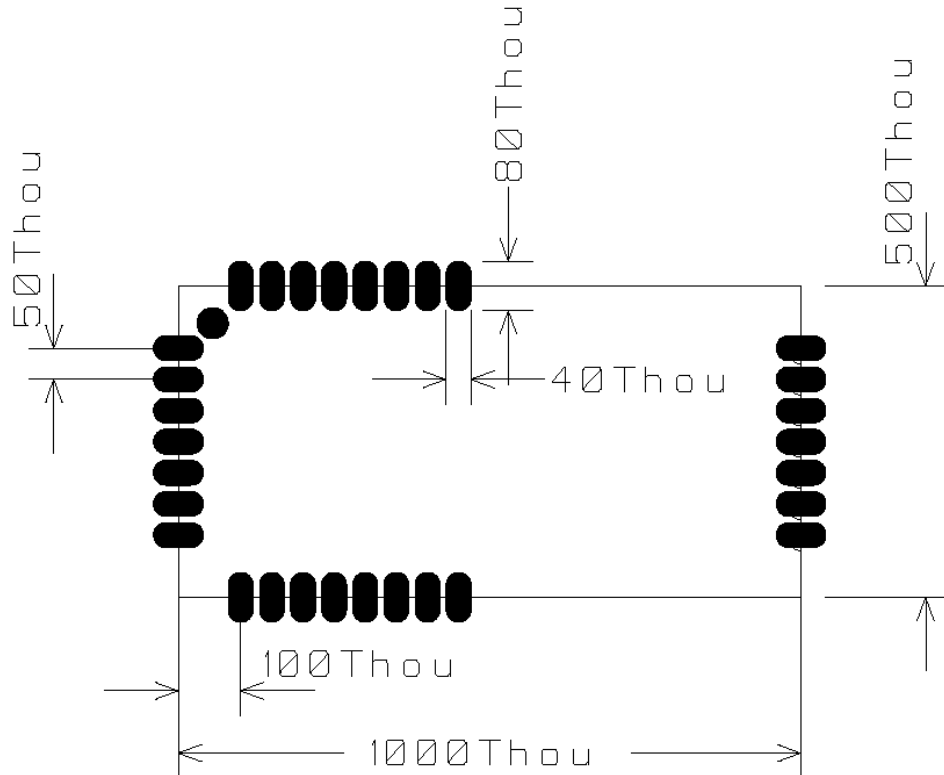
The use of RF frequencies and maximum allowed RF power is limited by national regulations. The RC1180-MBUS has been designed to comply with the R&TTE directive 1999/5/EC.

According to R&TTE directives, it is the responsibility of Radiocrafts' customers (i.e. RC1180-MBUS end user) to check that the host product (i.e. final product) is compliant with R&TTE essential requirements. The use of a CE marked radio module can avoid re-certification of the final product, provided that the end user respects the recommendations given by Radiocrafts. A Declaration of Conformity is available from Radiocrafts on request.

The relevant regulations are subject to change. Radiocrafts AS do not take responsibility for the validity and accuracy of the understanding of the regulations referred above. Radiocrafts only guarantee that this product meets the specifications in this document. Radiocrafts is exempt from any responsibilities related to regulatory compliance.

PCB Layout Recommendations

The recommended layout pads for the module are shown in the figure below. All dimensions are in thousands of an inch (mil). The circle in upper left corner is an orientation mark only, and should not be a part of the copper pattern.



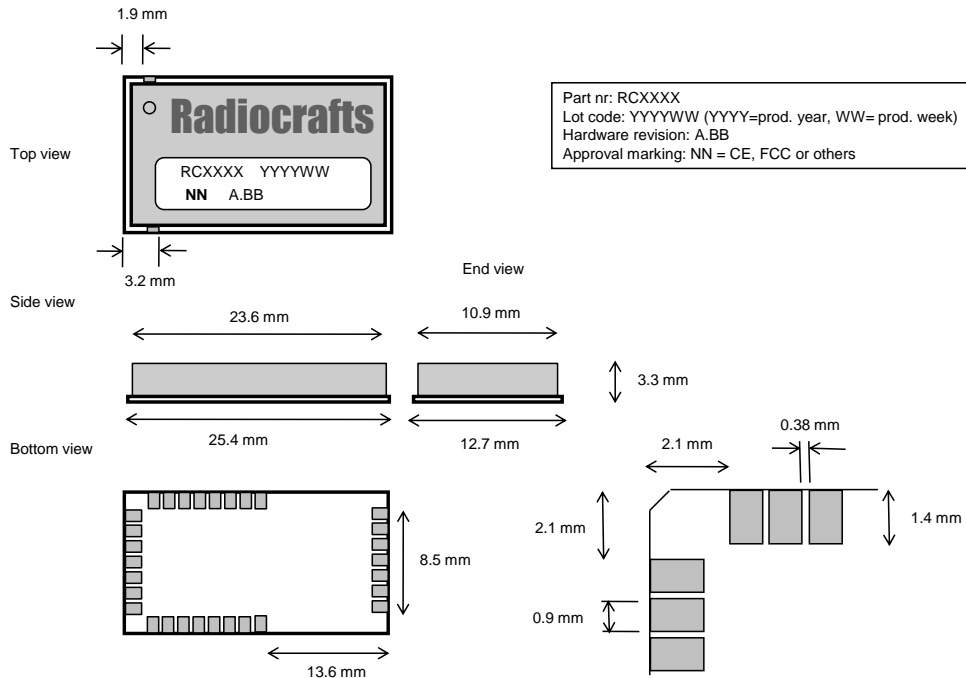
A PCB with two or more layers and with a solid ground plane in one of the inner- or bottom layer(s) is recommended. All GND-pins of the module shall be connected to this ground plane with vias with shortest possible routing, one via per GND-pin.

On the back side of the module there are several test pads. These test pads shall not be connected, and the area underneath the module should be covered with solder resist. If any routing or vias is required under the module, the routing and vias must be covered with solder resist to prevent short circuiting of the test pads. It is recommended that vias are tented.

Reserved pins should be soldered to the pads but the pads must be left floating.

Note that Radiocrafts technical support team is available for schematic and layout review of your design.

Mechanical Drawing



Drawings are not to scale

Mechanical Dimensions

The module size is 12.7 x 25.4 x 3.3 mm.

Carrier Tape and Reel Specification

Carrier tape and reel is in accordance with EIA Specification 481.

Tape width	Component pitch	Hole pitch	Reel diameter	Units per reel
44 mm	16 mm	4 mm	13"	Max 1000

Soldering Profile Recommendation

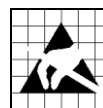
JEDEC standard IEC/JEDEC J-STD-020B (page 11 and 12), Pb-Free Assembly is recommended.

The standard requires that the heat dissipated in the "surroundings" on the PCB is taken into account. The peak temperature should be adjusted so that it is within the window specified in the standard for the actual motherboard.

Aperture for paste stencil is normally areal-reduced by 20-35%, please consult your production facility for best experience aperture reduction.

Absolute Maximum Ratings

Parameter	Min	Max	Unit
Supply voltage, VCC	-0.3	3.6	V
Voltage on any pin	-0.3	VCC+0.3V	V
Input RF level		10	dBm
Storage temperature	-50	150	°C
Operating temperature	-40	85	°C



Caution ! ESD sensitive device.
Precaution should be used when handling the device in order to prevent permanent damage.

Under no circumstances the absolute maximum ratings given above should be violated. Stress exceeding one or more of the limiting values may cause permanent damage to the device.

Electrical Specifications

T=25°C, VCC = 3.0V if nothing else stated.

Parameter	Min	Typ.	Max	Unit	Condition / Note
Operating frequency	868.0		870.0	MHz	
Number of channels		12			
Input/output impedance		50		Ohm	
Chip rate S-mode T-mode R2-mode		32.768 100 4.8		kchip/s	
Data rate S-mode T-mode R2-mode		16.384 66.67 2.4		kbit/s	S and R2 mode use Manchester coding. T mode uses 3-of-6 coding. T2 use a combination of both.
Frequency stability S and T mode R2 mode			+/-40 +/-20	ppm	Including 10 years of aging. TBD limited temperature range for R2 mode
Frequency stability aging			1	ppm/year	Starting after 10 years
Transmit power	-20	9	10	dBm	Typical values are for default settings
FSK deviation S-mode T-mode R2-mode		+/- 50 +/- 50 +/- 6		kHz	
Adjacent channel power		TBD		dBc	
Occupied bandwidth		TBD		kHz	99.5%
Spurious emission, TX < 1 GHz > 1 GHz			-36 -30	dBm	
Sensitivity S-mode T-mode R2-mode	-100 -100 -105	-102 -101 -106		dBm	Measured at BER 10(-3)
Adjacent channel rejection		29		dB	

Alternate channel selectivity		53		dB	
Image channel rejection		28		dB	
Blocking / Interferer rejection / desensitization +/- 1 MHz +/- 2 MHz +/- 5 MHz +/- 10 MHz	30 35 50 60	43 49 68 72		dB	Wanted signal 3 dB above sensitivity level, CW interferer. Minimum numbers corresponds to class 2 receiver requirements in EN300220.
Saturation		-14		dBm	
Input IP3		TBD		dBm	
Spurious emission, RX			-57	dBm	
Supply voltage	2.0		3.6	V	
Current consumption, RX/IDLE		24		mA	Apply over entire supply voltage range
Current consumption, TX RF_POWER=5, 9 dBm RF_POWER=4, 5 dBm RF_POWER=3, 1 dBm RF_POWER=2, -10 dBm RF_POWER=1, -20 dBm		37 32 24 19 18		mA	Apply over entire supply voltage range
Current consumption, SLEEP		0.1	1.0	uA	
Digital I/O Input logic level, low Input logic level, high Output logic level, low (1µA) Output logic level, high(-1µA)	70 % 0 TBD		30 % TBD VCC	V	Of VCC Of VCC
RESET pin Input logic level, low Input logic level, high	70 %		30 %	V	Minimum 250 ns pulse width
UART Baud Rate tolerance		+/- 2		%	UART receiver and transmitter
Configuration memory write cycles	1000				The guaranteed number of write cycles using the 'M' command is limited

Document Revision History

Document Revision	Changes
1.0	First release
1.1	Pin Assignment and Pin Description: Pin 2 = RTS, Pin 3 = CTS. Changed equivalent circuit to be pulled to VCC not VDD on relevant pins
1.2	Power supply chapter added. Frequency stability aging added.
1.3	Pin Assignment for Pin 2 and Pin 3 swapped, Pin 2 = CTS. Added chapter "Programming interface". Changed Test mode 2 description, added Test mode 3 description.
1.4	UART_BAUD_RATE settings corrected. Added R-C network on Reset-pin
1.5	Apply for firmware revision 1.15 and above (1.xx) Added 'F' (set C-field) and 'G' (set M-Bus mode) commands Added 'T' (set Destination Address / module ID) command
1.6	Minor corrections
2.0	MBUS protocol info separated into a User Manual
2.10	Mechanical drawing update, Product status change and minor corrections

Product Status and Definitions

Current Status	Data Sheet Identification	Product Status	Definition
	Advance Information	Planned or under development	This data sheet contains the design specifications for product development. Specifications may change in any manner without notice.
	Preliminary	Engineering Samples and First Production	This data sheet contains preliminary data, and supplementary data will be published at a later date. Radiocrafts reserves the right to make changes at any time without notice in order to improve design and supply the best possible product.
X	No Identification Noted	Full Production	This data sheet contains final specifications. Radiocrafts reserves the right to make changes at any time without notice in order to improve design and supply the best possible product.
	Obsolete	Not in Production	This data sheet contains specifications on a product that has been discontinued by Radiocrafts. The data sheet is printed for reference information only.

Disclaimer

Radiocrafts AS believes the information contained herein is correct and accurate at the time of this printing. However, Radiocrafts AS reserves the right to make changes to this product without notice. Radiocrafts AS does not assume any responsibility for the use of the described product; neither does it convey any license under its patent rights, or the rights of others. The latest updates are available at the Radiocrafts website or by contacting Radiocrafts directly.

As far as possible, major changes of product specifications and functionality, will be stated in product specific Errata Notes published at the Radiocrafts website. Customers are encouraged to check regularly for the most recent updates on products and support tools.

Trademarks

RC232™ is a trademark of Radiocrafts AS. The RC232™ Embedded RF Protocol is used in a range of products from Radiocrafts. The protocol handles host communication, data buffering, error check, addressing and broadcasting. It supports point-to-point, point-to-multipoint and peer-to-peer network topologies.

All other trademarks, registered trademarks and product names are the sole property of their respective owners.

Life Support Policy

This Radiocrafts product is not designed for use in life support appliances, devices, or other systems where malfunction can reasonably be expected to result in significant personal injury to the user, or as a critical component in any life support device or system whose failure to perform can be reasonably expected to cause the failure of the life support device or system, or to affect its safety or effectiveness. Radiocrafts AS customers using or selling these products for use in such applications do so at their own risk and agree to fully indemnify Radiocrafts AS for any damages resulting from any improper use or sale.

© 2008, Radiocrafts AS. All rights reserved.

Contact Information

Web site: www.radiocrafts.com

Address:

Radiocrafts AS
Sandakerveien 64
NO-0484 OSLO
NORWAY

Tel: +47 4000 5195

Fax: +47 22 71 29 15

E-mail: radiocrafts@radiocrafts.com
sales@radiocrafts.com
support@radiocrafts.com