

1

2

3

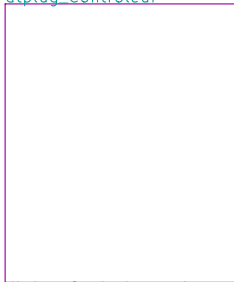
4

5

A

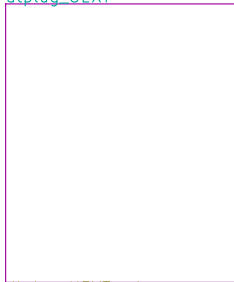
A

dtplug_Controleur



dtplug_Controleur.sch

dtplug_UEXT



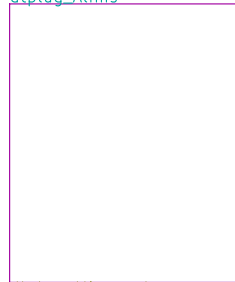
dtplug_UEXT.sch

dtplug_Ethernet



dtplug_Ethernet.sch

dtplug_Alims



dtplug_Alims.sch

B

B

C

C



Techno-Innov		Licence : Creative Commons – CC–By–SA–NC	
File: dtplug.sch			
Sheet: /			
Title: DomoTab			
Size: A4	Date: 18 aug 2013		Rev: 1.1
KiCad E.D.A.			Id: 1/5

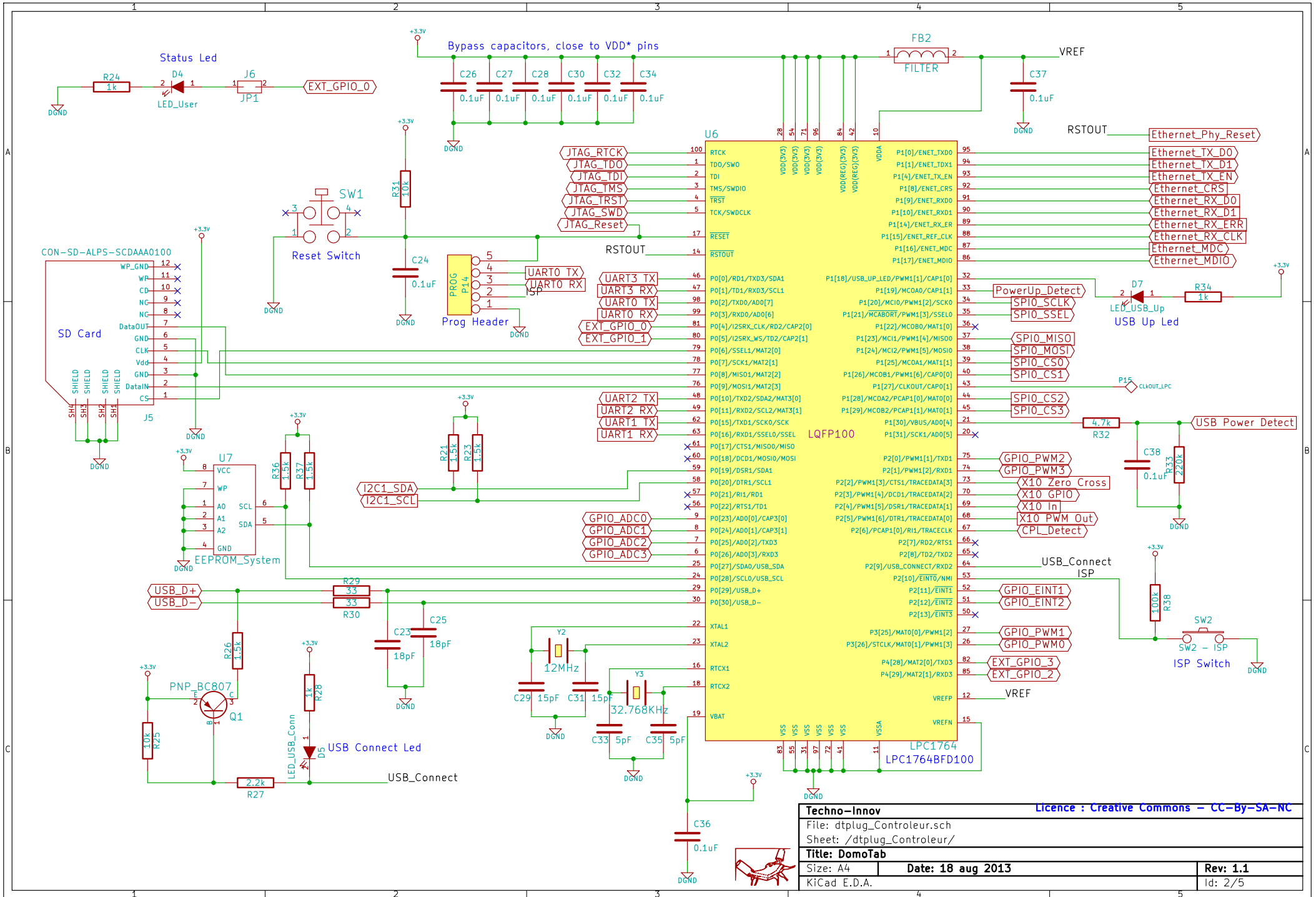
1

2

3

4

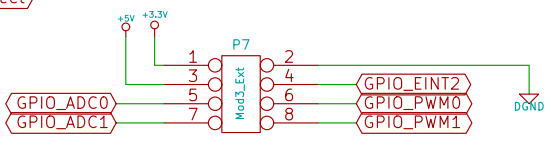
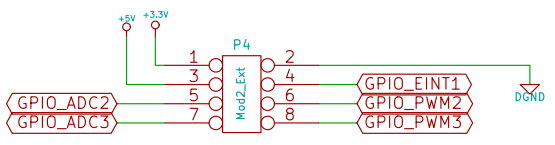
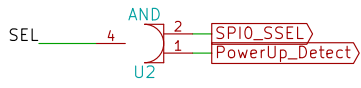
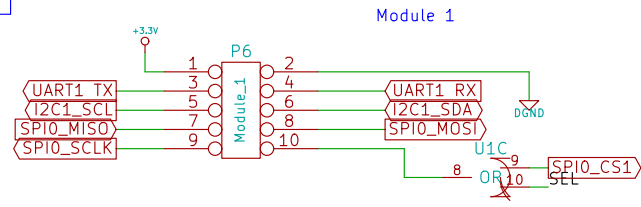
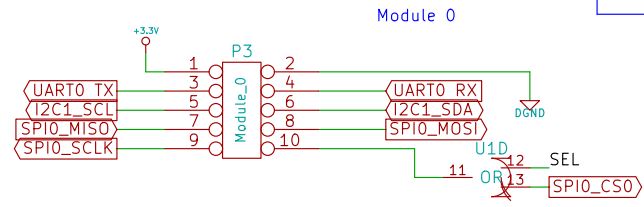
5



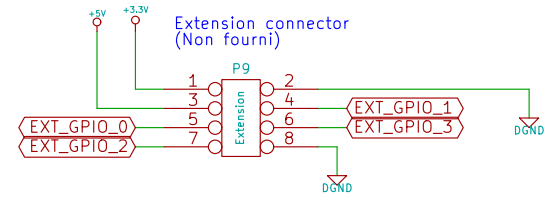
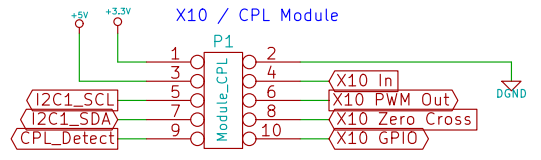
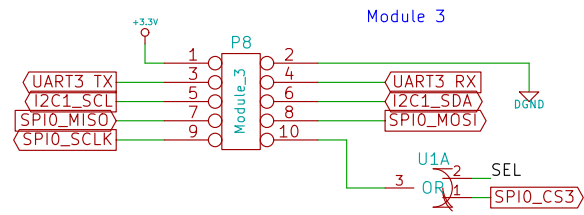
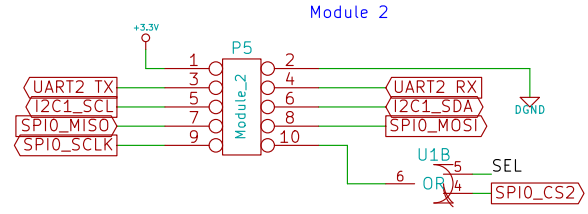
Techno-Innov		Licence : Creative Commons – CC-BY-SA-NC	
File: dtplug_Controleur.sch			
Sheet: /dtplug_Controleur/			
Title: DomoTab			
Size: A4	Date: 18 aug 2013		Rev: 1.1
KiCad E.D.A.			Id: 2/5



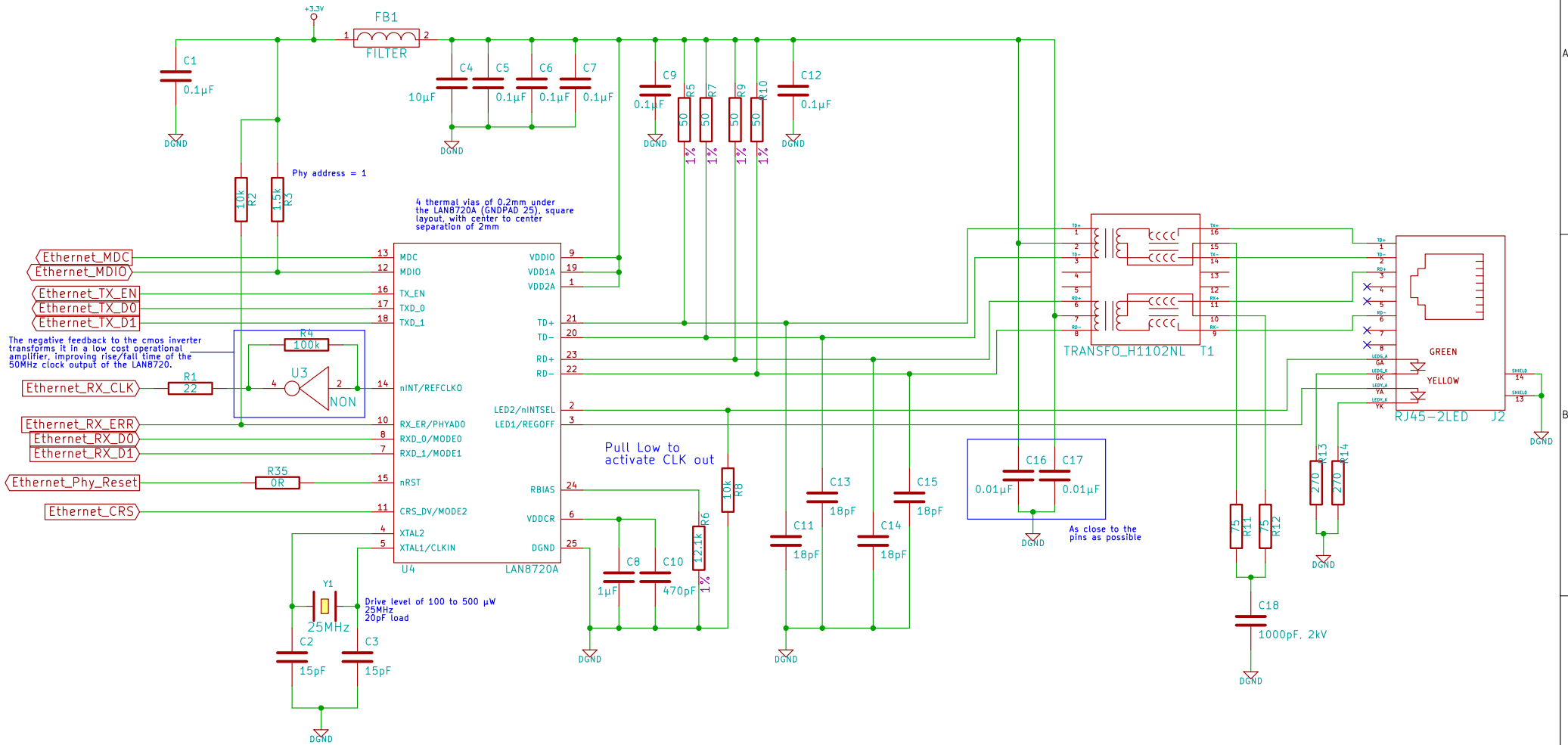
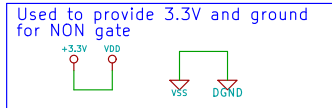
Used to provide 3.3V and ground for AND and OR gates



Note : GPIO_PWM1 and GPIO_PWM3 are the same PWM function, and cannot be used as PWM simultaneously



Techno-Innov		Licence : Creative Commons – CC–By–SA–NC	
File: dtplug_UEXT.sch			
Sheet: /dtplug_UEXT/			
Title: DomoTab			
Size: A4	Date: 18 aug 2013		Rev: 1.1
KiCad E.D.A.			Id: 3/5



The negative feedback to the cmos inverter transforms it in a low cost operational amplifier, improving rise/fall time of the 50MHz clock output of the LAN8720.

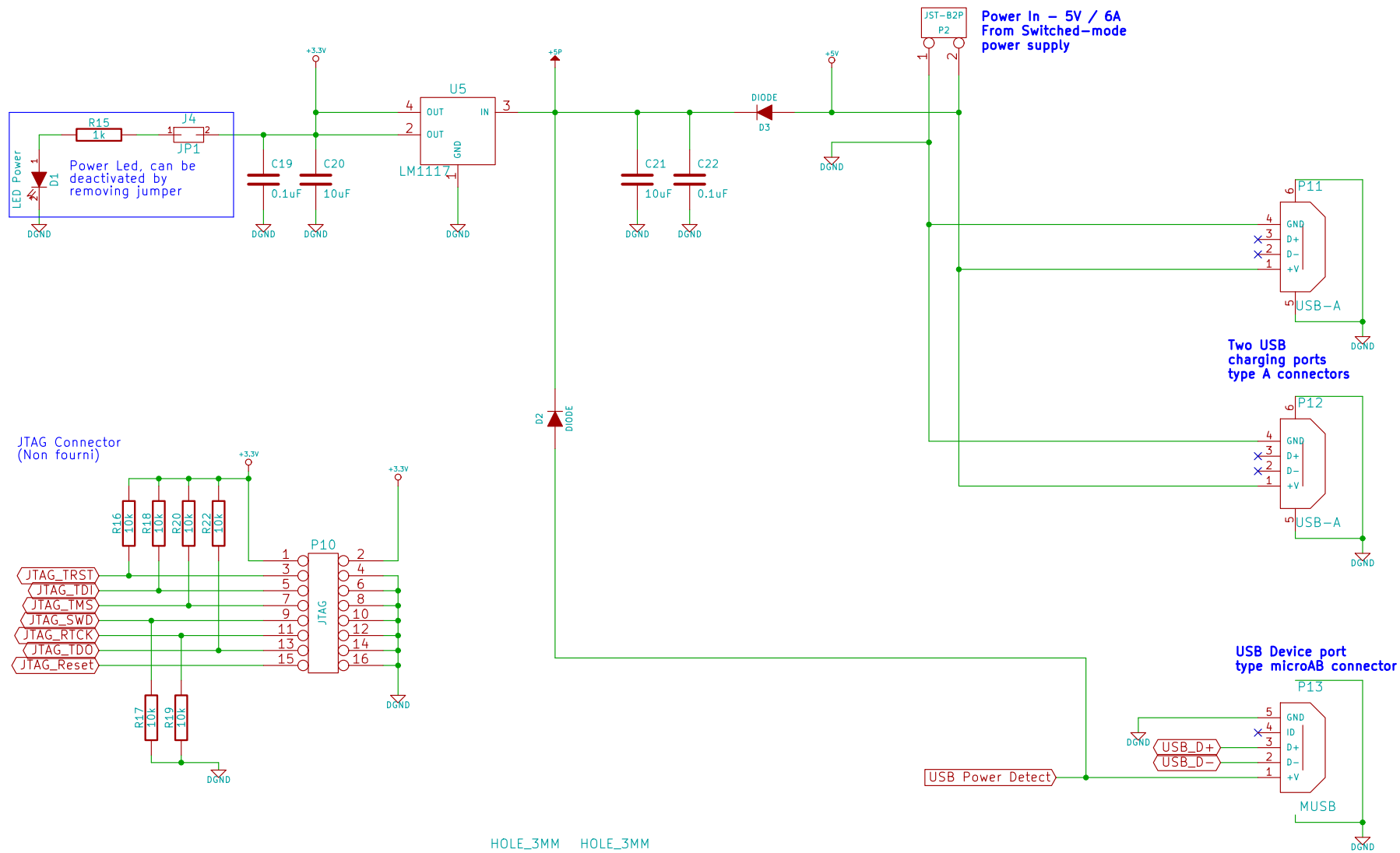
4 thermal vias of 0.2mm under the LAN8720A (GNDPAD 25), square layout, with center to center separation of 2mm

Pull Low to activate CLK out

As close to the pins as possible



Techno-Innov		Licence : Creative Commons – CC–By–SA–NC	
File: dtplug_Ethernet.sch			
Sheet: /dtplug_Ethernet/			
Title: DomoTab			
Size: A4	Date: 18 aug 2013		Rev: 1.1
KiCad E.D.A.			Id: 4/5



JTAG Connector
(Non fourni)

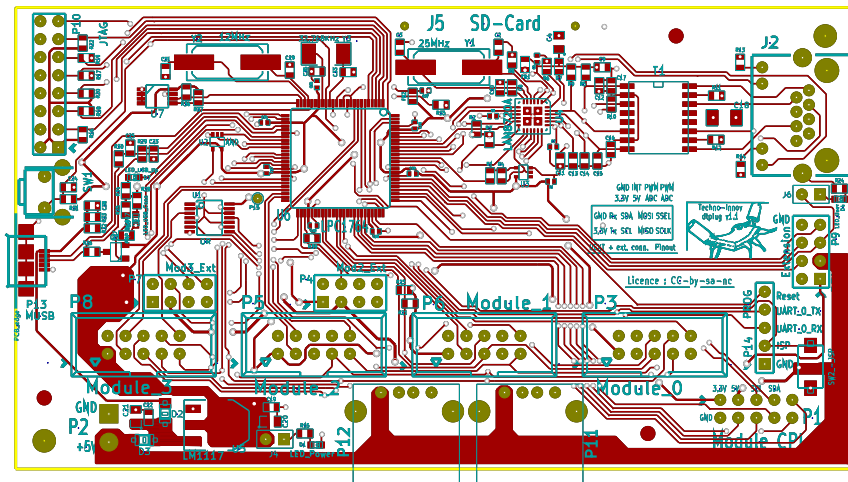
HOLE_3MM HOLE_3MM
0 Hole 0 Hole
H1 H2

MIRE_RONDE MIRE_RONDE MIRE_RONDE
0 Mire 0 Mire 0 Mire
M1 M2 M3

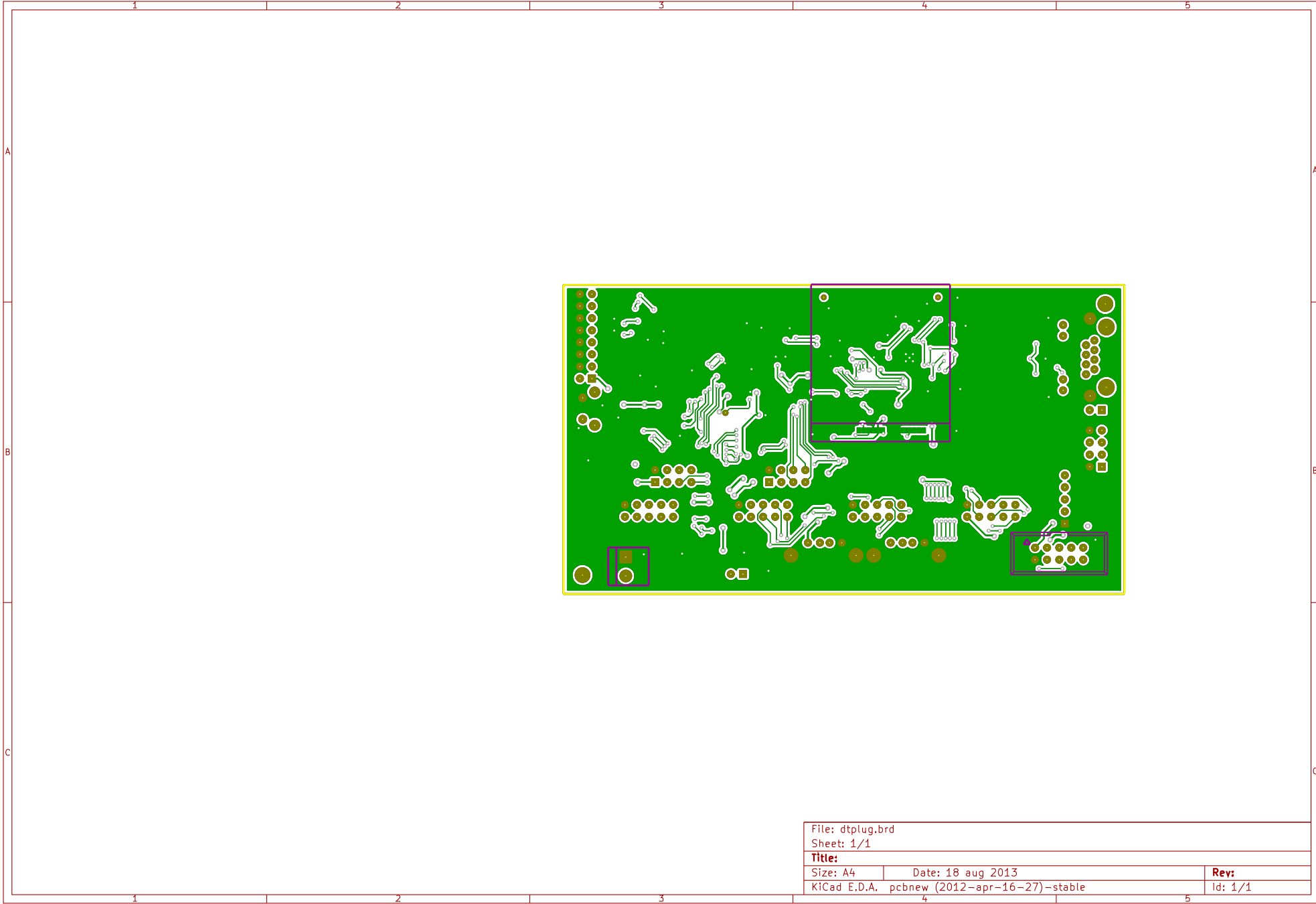


Licence : Creative Commons - CC-By-SA-NC

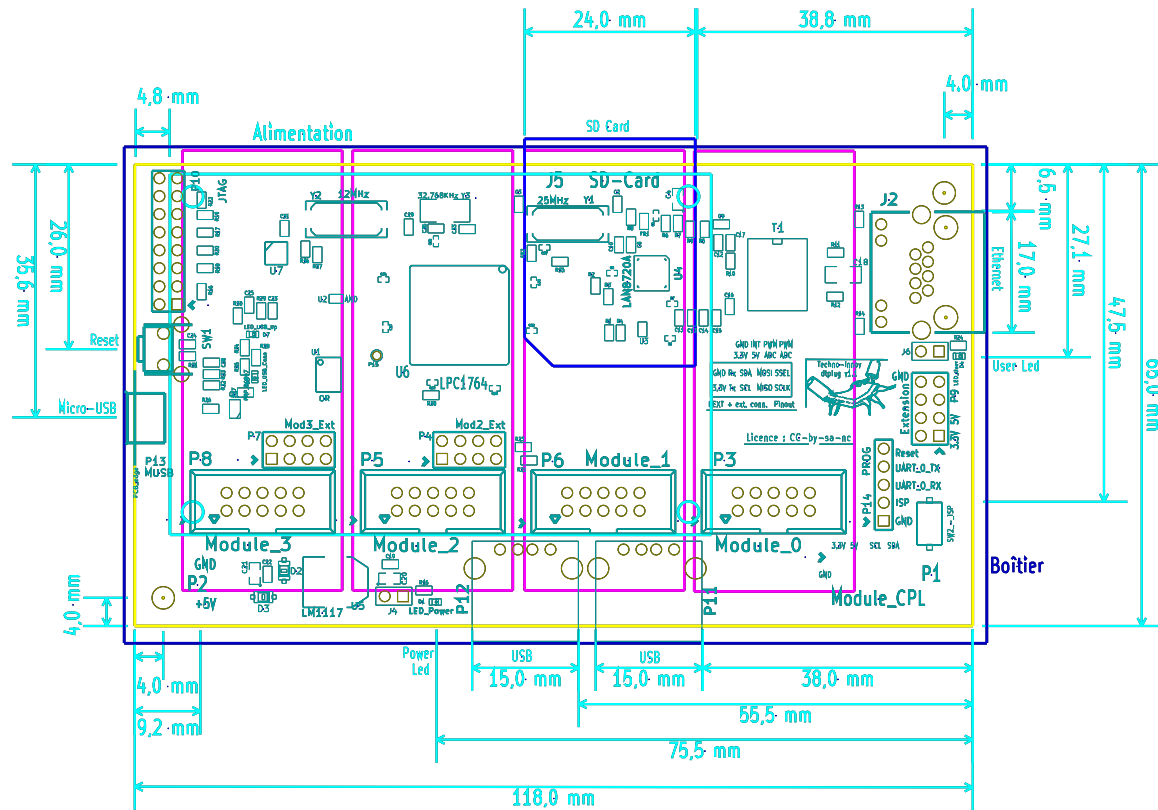
File: dtplug_Alims.sch		
Sheet: /dtplug_Alims/		
Title: DomoTab		
Size: A4	Date: 18 aug 2013	Rev: 1.1
KiCad E.D.A.		Id: 5/5



File: dtplug.brd		
Sheet: 1/1		
Title:		
Size: A4	Date: 18 aug 2013	Revs:
KiCad E.D.A. pcbnew (2012-apr-16-27)-stable		Id: 1/1



File: dtplug.brd		
Sheet: 1/1		
Title:		
Size: A4	Date: 18 aug 2013	Revs:
KiCad E.D.A. pcbnew (2012-apr-16-27)-stable		Id: 1/1



File: dtplug.brd		
Sheet: 1/1		
Title:		
Size: A4	Date: 18 aug 2013	Revs:
KiCad E.D.A. pcbnew (2012-apr-16-27)-stable		Id: 1/1